



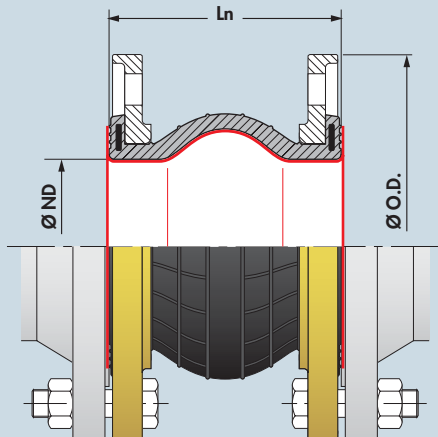
Inner lining grade

**F1**  
White label



PTFE liner

Permissible temperature:  
-35 °C up to +110 °C



Example of Label



# DILATOFLEX® K

P.E.D. 97/23/CE

**AUTOSTABLE**  
**F1 grade**

DIMENSIONAL DATA						TECHNICAL DATA							
Nominal Diameter	NPS	Nominal length (Ln in mm)	O.D. (mm)			Max. permissible pressure	Vacuum	Max. Permissible Movements (not concurrent)				... AUTOSTABLE ... at its equilibrium length (Lq in mm)	Approx. weight in kg (steel flanges PN10 / PN16)
			PN 10	PN 16	class 150 (PN 20)			Axial		Lateral	Angular		
ND mm	inch					bar	bar	Compression Ln - Lc mm	Elongation Le - Ln mm	Shearing R mm	angle α° degree		
32	1 1/4	130	140	-	6	NO VACUUM PERMISSIBLE		10	10	8	10	130	3.0
40	1 1/2	130	150	130	6			10	10	8	10	130	3.4
50	2	130	165	165	6			10	10	8	10	130	4.0
65	2 1/2	130	185	185	6			10	10	8	10	130	4.7
80	3	130	200	200	6			10	10	8	9	130	5.0
100	4	130	220	220	6			10	10	8	7	135	6.2
125	5	130	250	250	6			10	15	8	7	140	7.7
150	6	130	285	285	6			10	15	8	5	140	10.0
200	8	130	340	340	6			10	20	8	5	145	12.2
250	10	130	405	405	6			10	25	8	4	150	16.7
300	12	130	445	460	485	6	10	30	8	4	155	20.0	

(1) Other drillings available (e.g. PN6, PN25, BS10 D-E...) ...

Swivel flanges in zinc-plate steel, hot dip galvanized steel, or stainless steel (304L or 316L)

Technical Sheet  
AFD-TS- 003/3 from 2008 - 11 - 04

We reserve the right to change our products' specifications when necessary without notice.

Distributor:

Mercia Flexibles • [www.merciaflexibles.co.uk](http://www.merciaflexibles.co.uk)

Ludlow Business Park • Ludlow • Shropshire • SY8 1XF • United Kingdom

Tel: +44 (0)1584 874999 • Fax: +44 (0)1584 874007 • Email: [enquiries@merciaflexibles.co.uk](mailto:enquiries@merciaflexibles.co.uk)