

# DILATOFLEX® KP

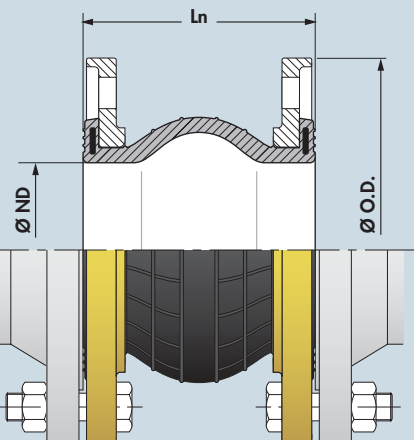
Inner lining grades

**DW**  
Blue label

**GZ**  
Orange label



**TE**  
Mauve label



Example of Label



DIMENSIONAL DATA					TECHNICAL DATA							
Nominal Diameter	NPS	Longueur nominale (Ln en mm)	Drilling standards		Max. permissible pressure bar	Max. permissible temperature T ≤ 55 °C	Max. Permissible Movements (not concurrent)				Steel ring required for vacuum greater than ...%	Approx. weight in kg (steel) (1)
			class 150 (PN 20)	PN 25			Axial	Lateral	Angular			
ND mm	NPS inch	Ln mm	class 150 (PN 20)	PN 25			Compression Ln - Lc mm	Elongation Le - Ln mm	Shearing R mm	Angular α° degree	AUTOSTABLE ... at its equilibrium length (Lq in mm)	
32	1 1/4	130	-	140	25	-	20	10	10	15	130	3.0
40	1 1/2	130	130	150	25	-	20	10	10	15	130	3.4
50	2	130	165	165	25	30	20	10	10	15	130	4.0
65	2 1/2	130	185	185	25	30	20	10	10	15	130	4.7
80	3	130	200	200	25	30	20	10	10	12	130	5.0
100	4	130	220	235	25	30	20	10	10	9	135	6.2
125	5	130	250	270	25	30	20	15	15	9	140	7.7
150	6	130	285	300	25	30	15	15	10	5	140	10.0
200	8	130	340	360	25	30	15	20	15	5	145	12.2
250	10	130	405	425	25	30	10	20	10	4	150	16.7
300	12	130	485	485	25	30	10	20	10	4	155	20.0

(1) Floating flanges in zinc-chromated, hot dip galvanized or 304L stainless steel

Technical Sheet  
AFD-TS- 007/2 from 2008 - 11 - 04

We reserve the right to change our products' specifications when necessary without notice.

Distributor:

**Mercia Flexibles** • [www.merciaflexibles.co.uk](http://www.merciaflexibles.co.uk)

Ludlow Business Park • Ludlow • Shropshire • SY8 1XF • United Kingdom

Tel: +44 (0)1584 874999 • Fax: +44 (0)1584 874007 • Email: [enquiries@merciaflexibles.co.uk](mailto:enquiries@merciaflexibles.co.uk)